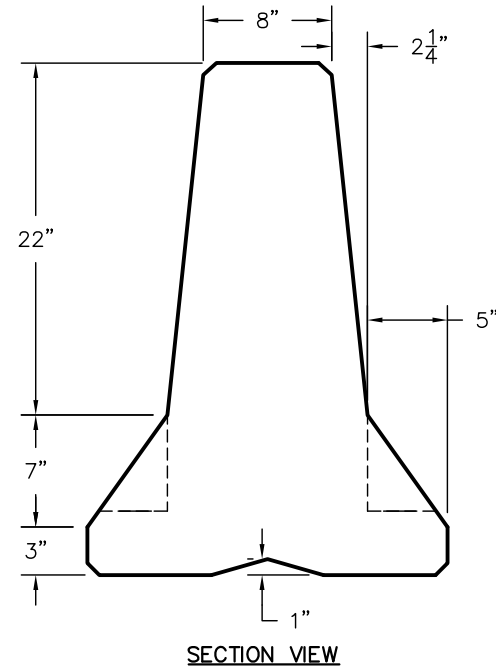
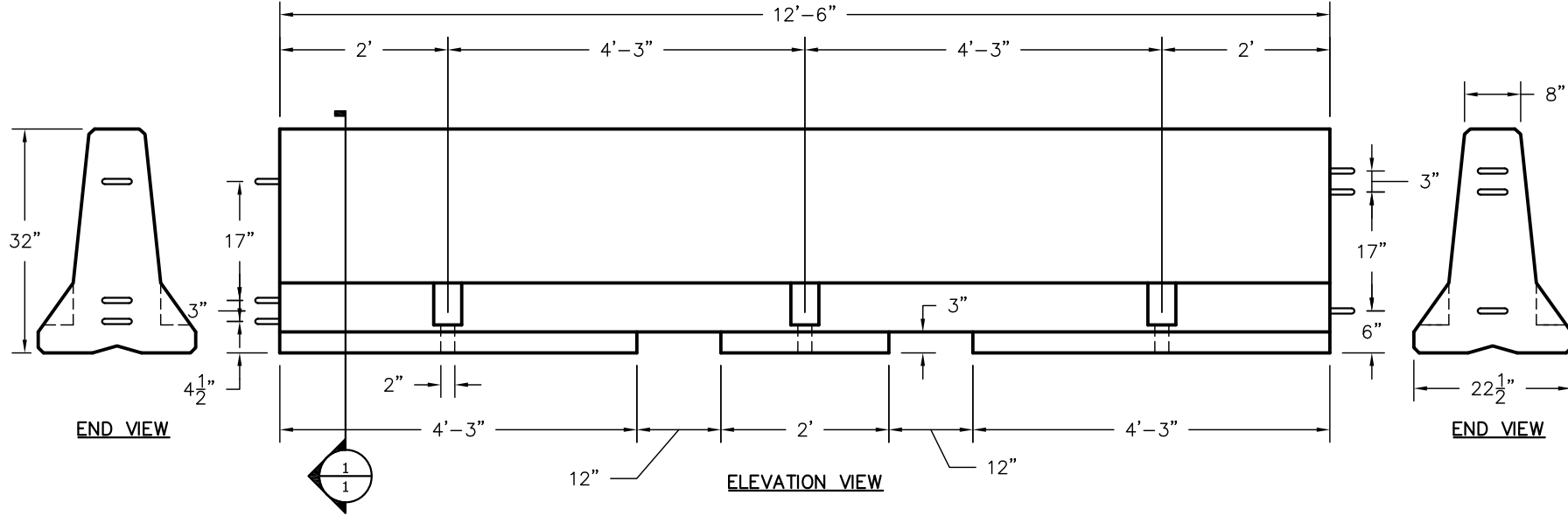


MEDIAN BARRIER 12'-6" LONG



NOTES:

WEIGHT - APPROX. 5,300 LBS. TOTAL

	DATE:		
	REV NO.		
SCALE: 1/2" = 1'	DRAWN BY: SWT	DATE: 5/20/08	FILE: Barrier_MNDOT 8337B 12-6
WIESER CONCRETE			
W3716 US HWY10. MAIDEN ROCK, WI 54750 800-325-8456			
MEDIAN BARRIER MNDOT 8337B			
SHEET NO. 1 OF 1			