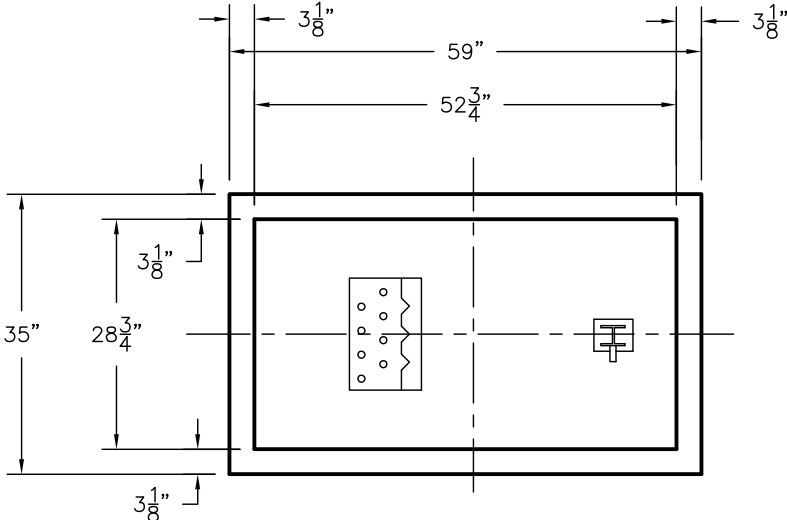
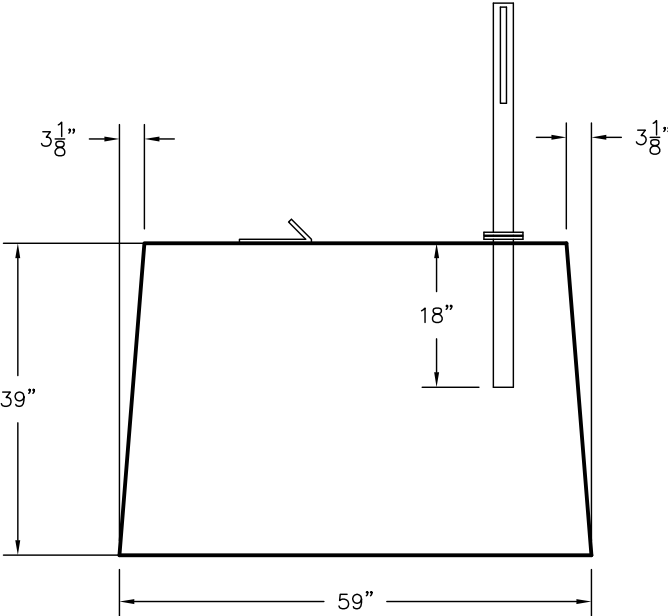


3-CABLE GUARDRAIL

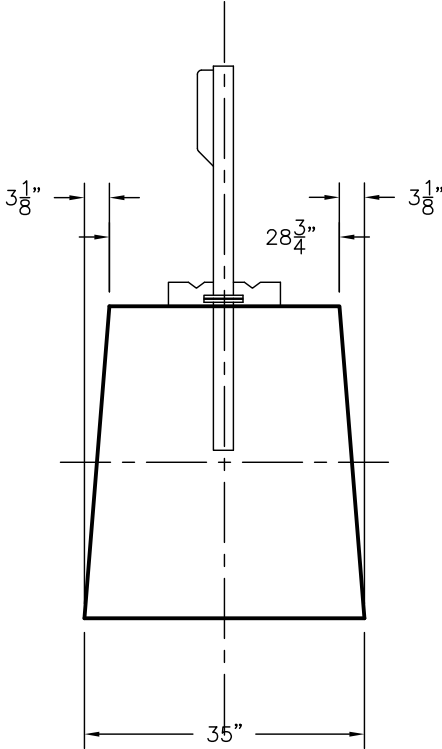
APPROX. WEIGHT = 6,060 EA.



PLAN VIEW



SIDE VIEW



END VIEW

SCALE: 1/2" = 1'	REV NO.	DATE:
DRAWN BY: SWT	1	7/23/04
DATE: 6/8/04		
FILE: SAVED AS		
WIESER CONCRETE		
W3716 US HWY10. MAIDEN ROCK, WI 54750		
800-325-8456		
3-CABLE GUARDRAIL ANCHOR		
SHEET NO.		
0 OF 0		