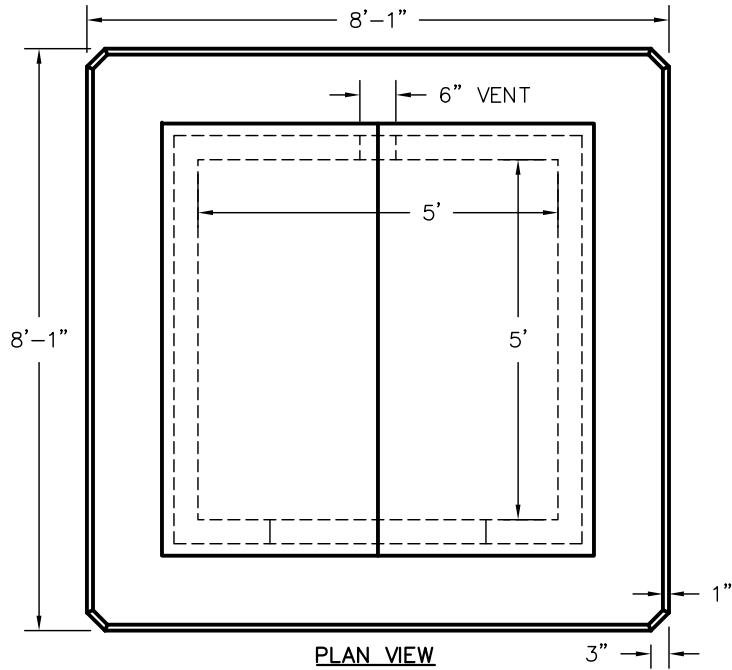
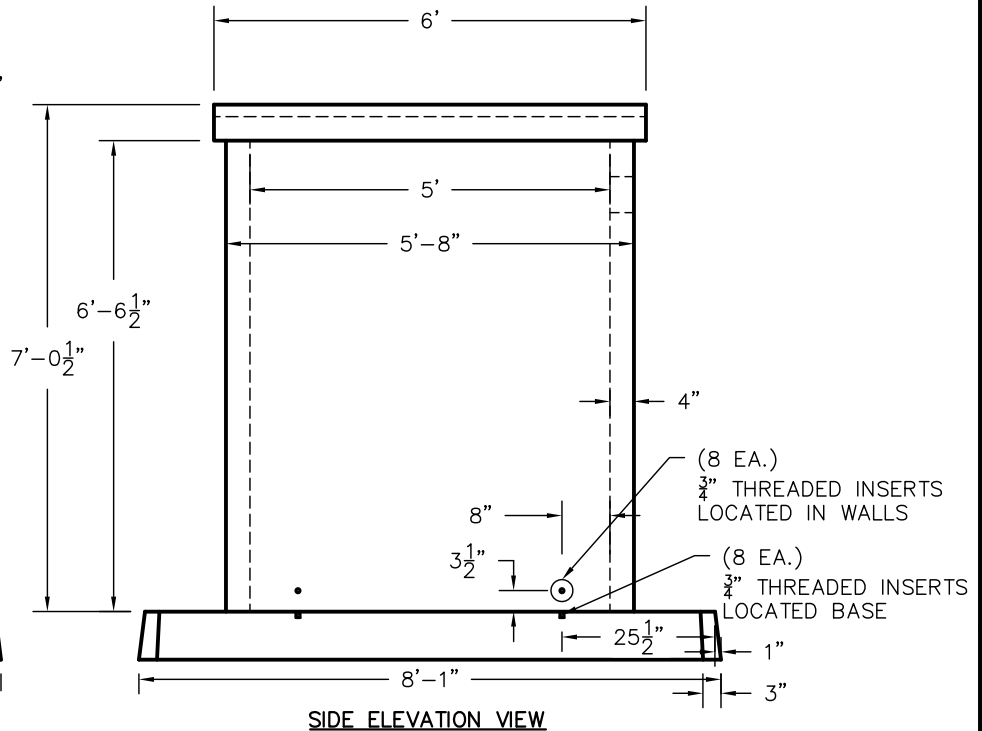
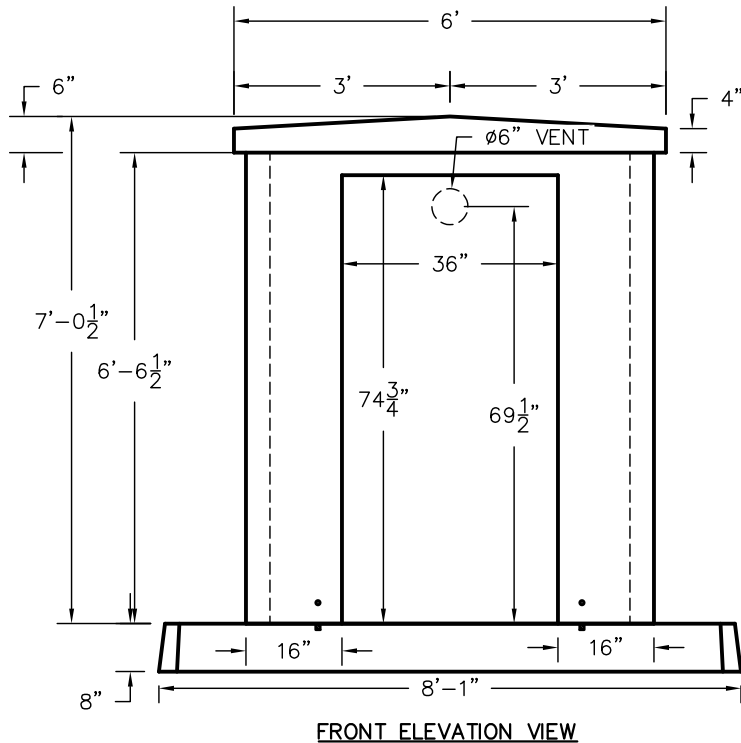


STORM SHELTER BUILDING



NOTES:
 USE (8 EA.) ANGLES TO
 ATTACH BASE SLAB.



WIESER CONCRETE	SCALE: 3/8" = 1'	REV. NO.	DATE:
W3716 US HWY10. MAIDEN ROCK, WI 54750	DRAWN BY: SWT	NO. 3	5/11/12
800-325-8456	DATE: 3/20/19	NO. 4	8/2/12
STORM SHELTER BUILDING	FILE: i:\auto cad\storm shelters\5 x 5 storm building.dwg		
SHEET NO.	1 OF 1		