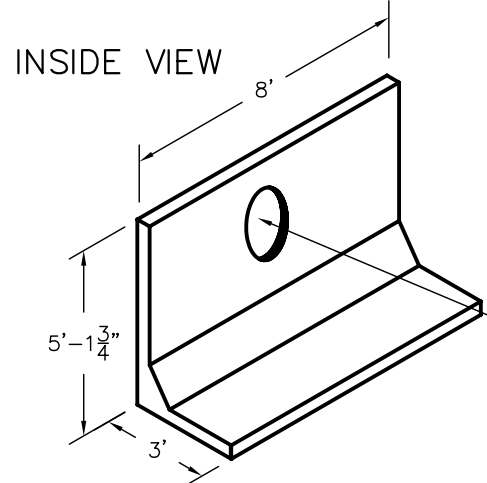
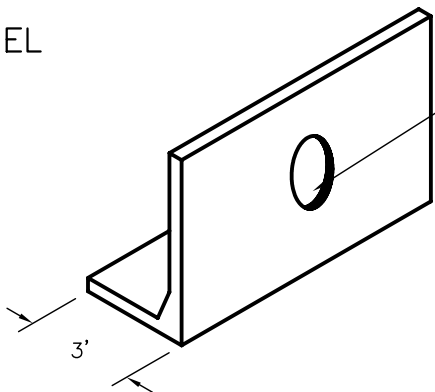


5' L PANEL



OPTIONAL
AERATION HOLES

L PANEL



OUTSIDE VIEW

SCALE: 3/16" = 1'		REV NO.	DATE:
DRAWN BY:			
DATE:			
FILE:			
WIESER CONCRETE W3716 US HWY10. MAIDEN ROCK, WI 54750 800-325-8456			
5 FT L GRAIN PANEL			
SHEET NO.			
0 / OF 0			