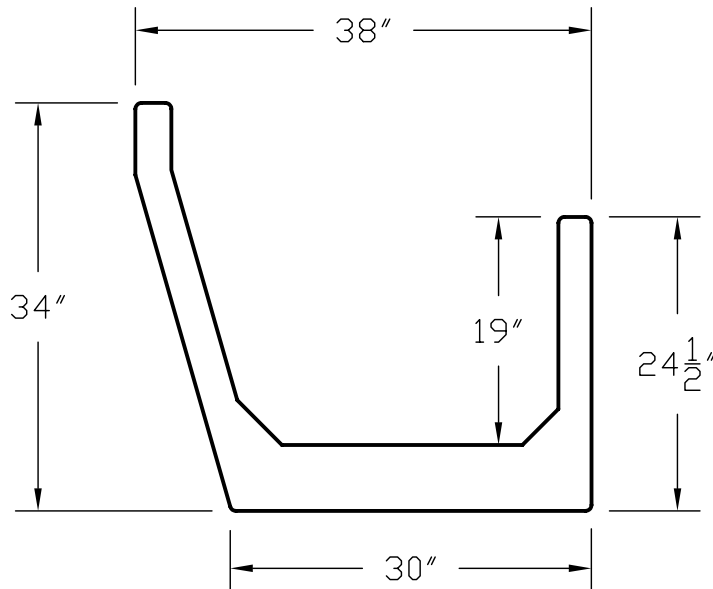
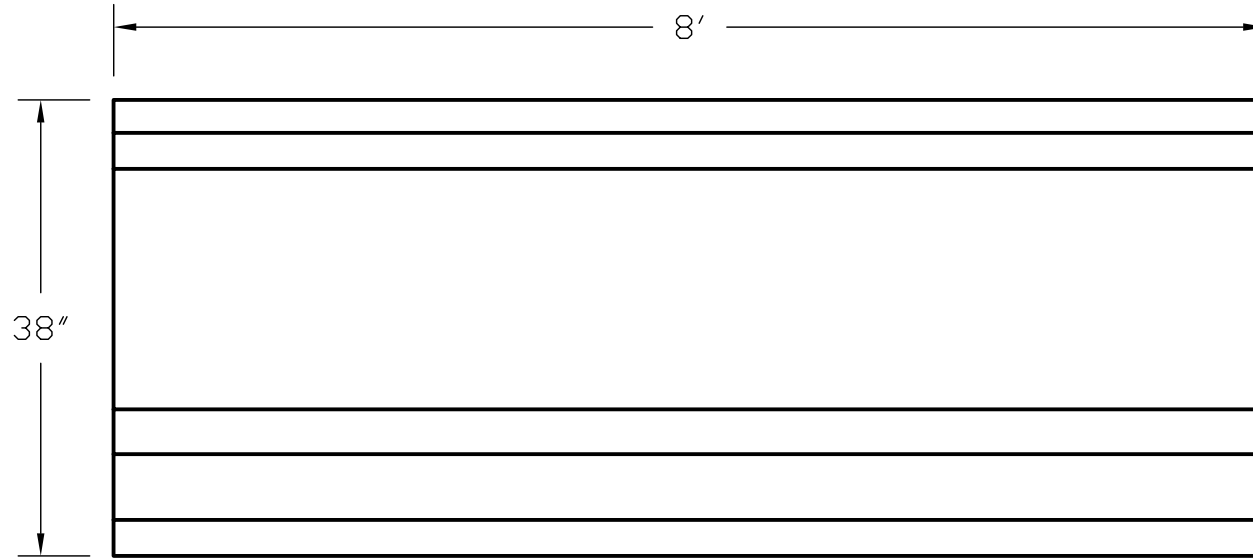


# SUPER FENCE LINE FEED BUNK



NOTE:  
REGULAR 8' SECTION

DRAWN BY: SWT SCALE: 3/4" = 1'

DATE: 10/24/03 REV. DATE:

FILE: Auto Cad\feed bunk\feed bunk fence line super bunk.dwg

**WIESER CONCRETE**

W3710 HWY 10 MAIDEN ROCK, WI 54750  
800-325-8456

SUPER FENCE LINE  
FEED BUNK

SHEET

0  
/  
0