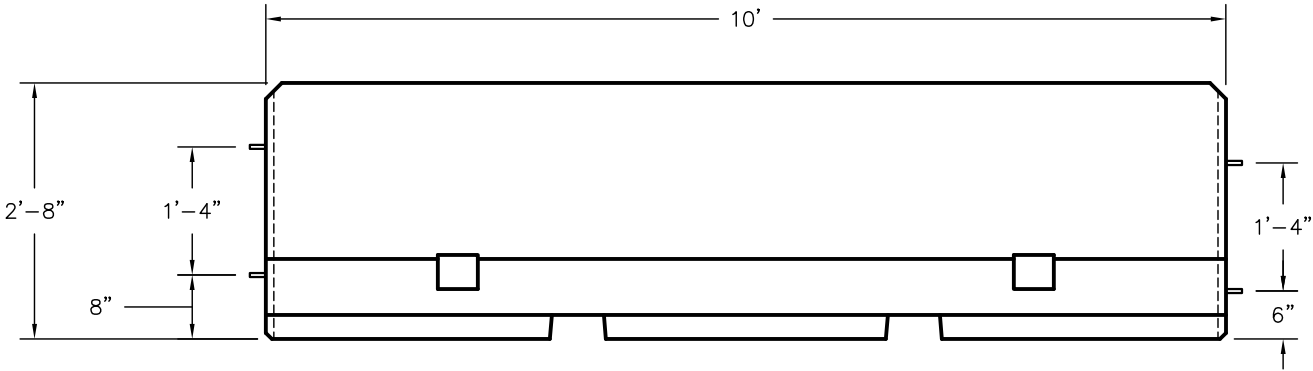
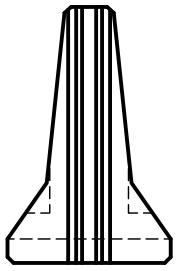


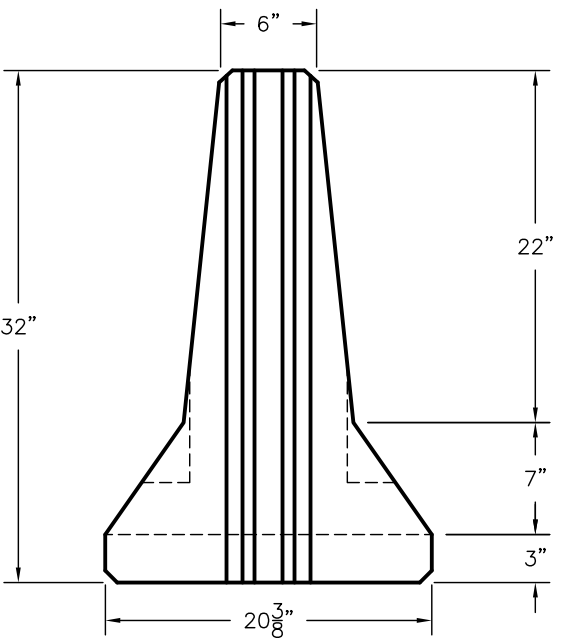
TEMPORARY MEDIAN BARRIER 10' LONG



SIDE VIEW



END VIEW



END VIEW

NOTES:

CONCRETE - 28 DAY COMPRESSIVE F'C=5000 PSI., AIR ENTRAINED
REINFORCING - ASTM A-615 GRADE 60

WEIGHT - APPROX. 3,200 LBS. TOTAL

	REV. NO.	DATE:
SCALE: NTS		
DRAWN BY: SWT		
DATE: 5/18/12		
FILE: i:\auto cad\barrier\temporary median barrier, 10' long.dwg		
WIESER CONCRETE		
W3716 US HWY10. MAIDEN ROCK, WI 54750		
800-325-8456		
TEMPORARY MEDIAN BARRIER 10' LONG		
SHEET NO. 1 OF 1		