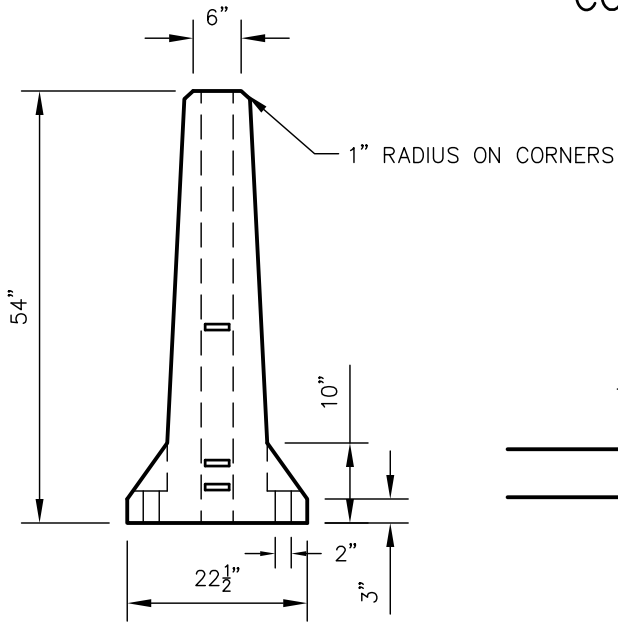


# 12'-6" LONG X 54" TALL CONCRETE BARRIER

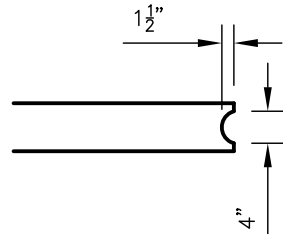
## NOTES:

CONCRETE - 28 DAY COMPRESSIVE F'C=5000 PSI., AIR ENTRAINED  
REINFORCING - ASTM A-615 GRADE 60

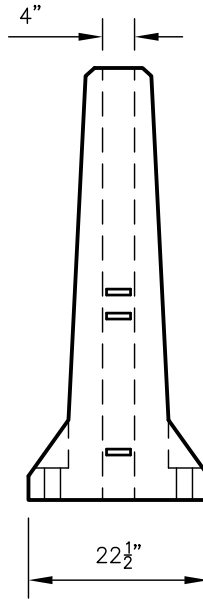
WEIGHT - APPROX. 7,300 LBS. TOTAL



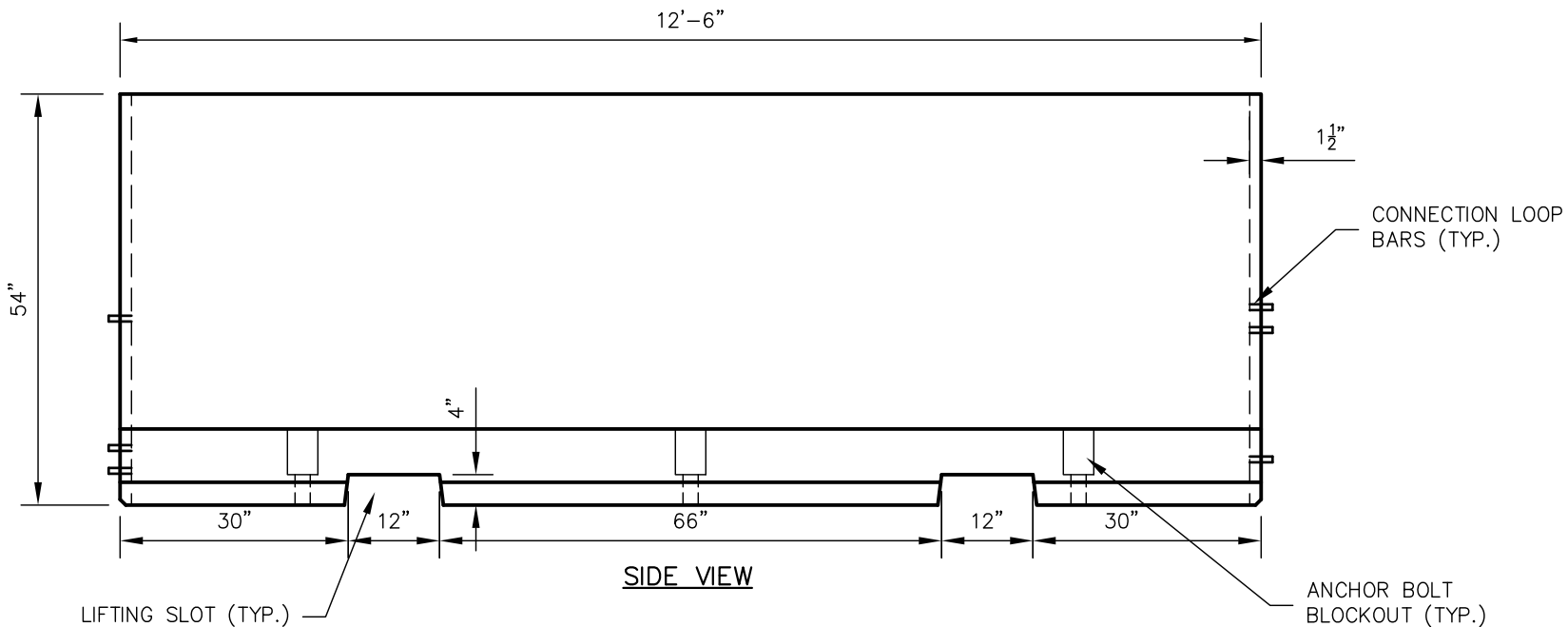
END VIEW



TOP VIEW OF  
RECESS END



END VIEW



SIDE VIEW

**WIESER CONCRETE**  
2815 RILEY ROAD PORTAGE, WI 53901  
800-362-7220

CONCRETE BARRIER  
12'-6" - 54" HIGH

SHEET NO.  
1 OF 1

PRE-POUR:

SCALE: 1/2"=1'-0"

REV.

DATE: 06/22/09

DATE: .

POST-POUR:

REV.

DATE: .

DATE: .

DATE: .

FILE: \\Barrier\Product Drawings\12.5' Barrier - 54" High.dwg