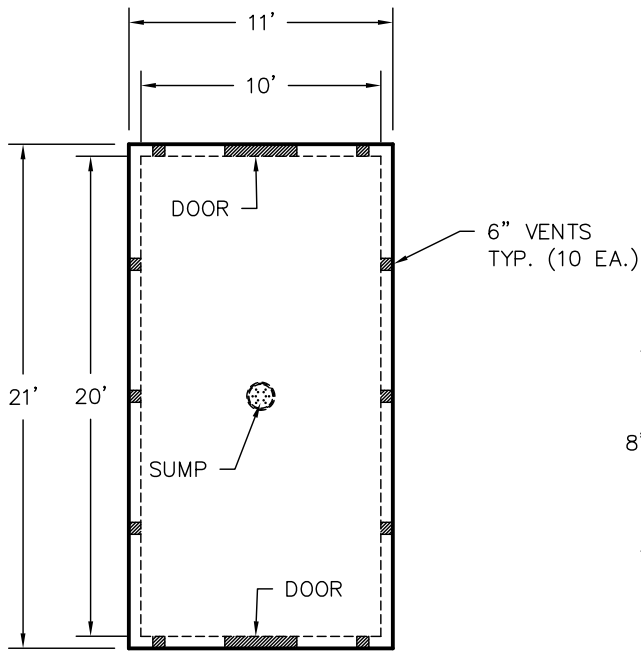
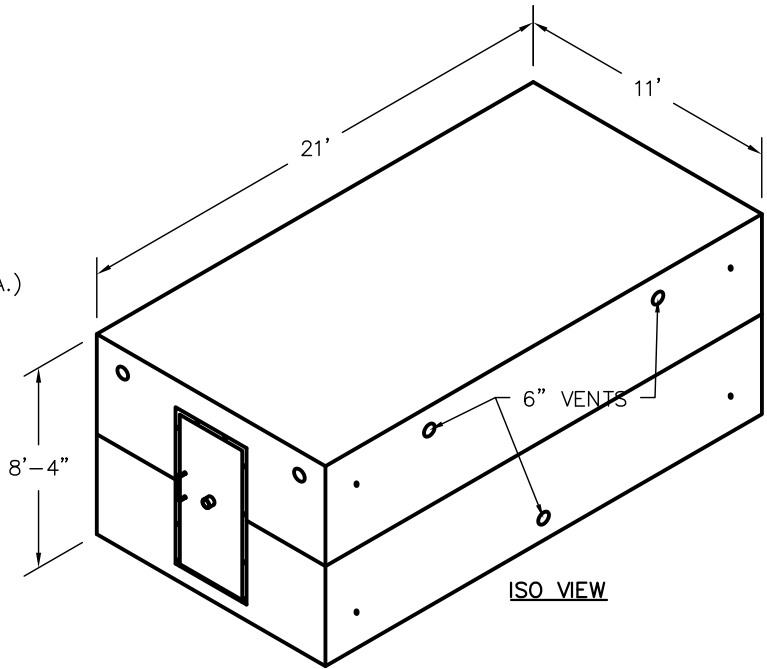


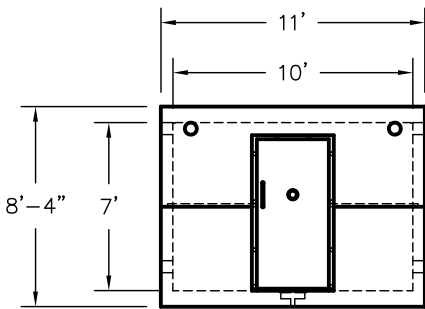
WCP10X20 STORM SHELTER  
 20' X 10' X 7' TALL I.D.  
 WITH (2 EA.) STEEL DOORS



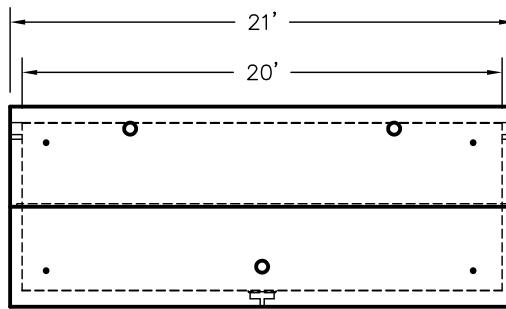
PLAN VIEW



ISO VIEW



FRONT ELEVATION VIEW



SIDE ELEVATION VIEW

SHEET NO.  
 1 OF 1

WCP10X20 STORM SHELTER  
 20' X 10' X 7' TALL I.D.  
 WITH (2 EA.) STEEL DOORS

**WIESER CONCRETE**

W3716 US HWY10. MAIDEN ROCK, WI 54750

800-325-8456

SCALE: 1/8" = 1'

DRAWN BY: SWT

DATE: DATE

FILE: I:\Auto Cad\Storm Shelters\Storm Shelter brochures drawings.dwg

REV NO.

DATE: