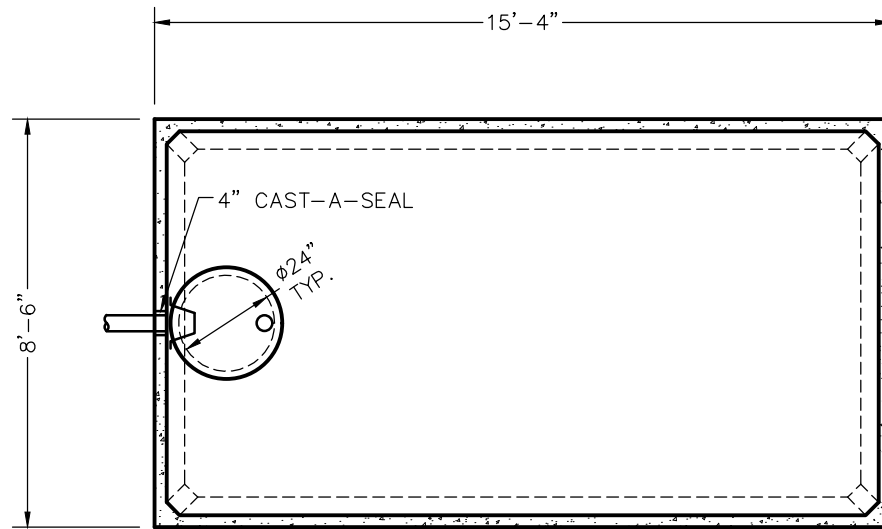
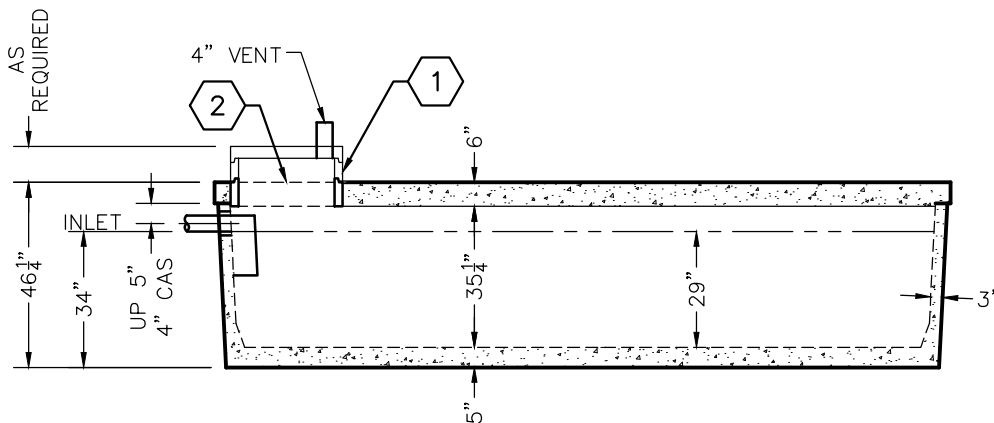


# WSP2000 HOLDING TANK SPECIFICATIONS



TOP VIEW



SIDE VIEW

**DIMENSIONS:**

- WALL: 3"
- BOTTOM: 5"
- COVER: 6"
- MANHOLE: 24" I.D. PRECAST CONCRETE RISER
- HEIGHT: 46 1/4"
- LENGTH: 15'-4"
- WIDTH: 8'-6"
- BELOW INLET: 34"
- LIQUID LEVEL: 29"
- WEIGHT: BOTTOM 14,530 LBS.  
COVER 9,300 LBS.

**INLET AND OUTLET:**

4" CAST-A-SEAL BOOT OR EQUAL GASKET

LIQUID CAPACITY: 69.77 GAL/IN

**HOLDING TANK:**

NO OUTLET HOLE  
ACTUAL CAPACITY: 2,020 GALLONS

LOADING DESIGN: 8'-0" UNSATURATED SOIL

TANK CAN BE USED AS:  
HOLDING / PUMP

COVER: MIX DESIGN #8 (NO FIBER)  
TANK: MIX DESIGN #9 (SMALL FIBER)

CUSTOMIZED TANKS:  
FOR CUSTOM TANKS CONTACT WIESER CONCRETE

**KEY NOTES:**

- 1 CONCRETE OR EZ-SNAP RISERS
- 2 OPTIONAL: (2 EA.) MANHOLE EACH END OR (1 EA.) MANHOLE & (1 EA.) 4" COUPLER OPPOSITE ENDS

REVIEWED BY \_\_\_\_\_  
REVIEW DATE \_\_\_\_\_

**DRAWINGS SUBMITTED FOR APPROVAL**

APPROVED BY: \_\_\_\_\_  
APPROVAL DATE: \_\_\_\_\_  
PRODUCTS NEEDED BY: \_\_\_\_\_

TANKS ARE MANUFACTURED TO MEET OR EXCEED ASTM C-1227 REQUIREMENTS

PRE-POUR:		DATE:	
REV.	SCALE: 1/4" = 1'-0"	DRAWN BY: WCP	POST-POUR:
DATE:	DATE: 00/00/00	FILE: wslp2000 holding	
<b>WIESER CONCRETE</b>			
W3716 US HWY 10, MAIDEN ROCK, WI 54750 800-325-8456			
WSP2000 HOLDING	SEPTIC MANUAL		
SHEET NO.		1 OF 1	