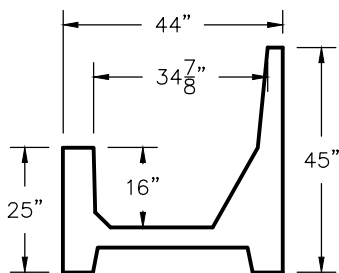
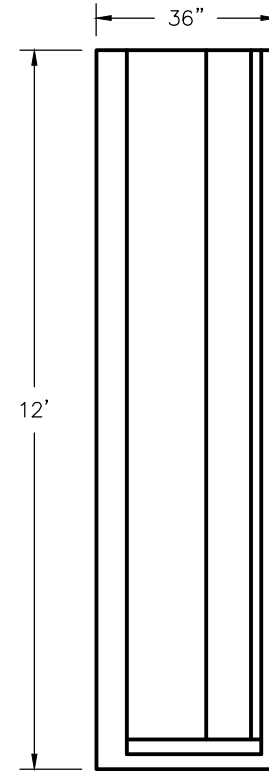
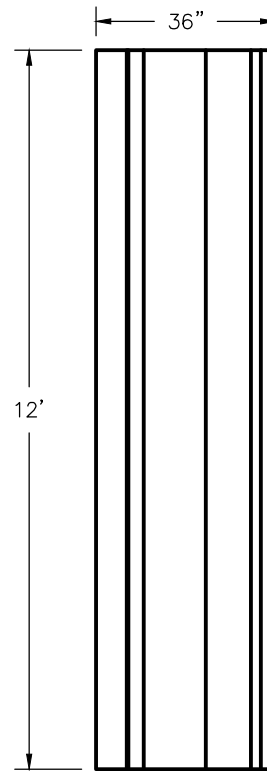
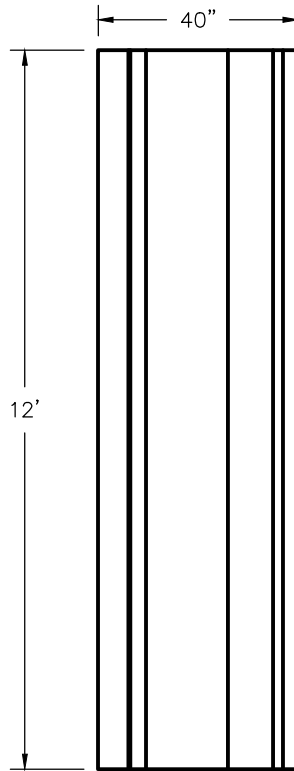
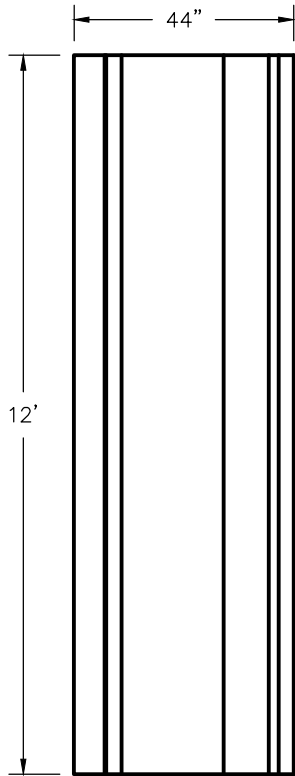
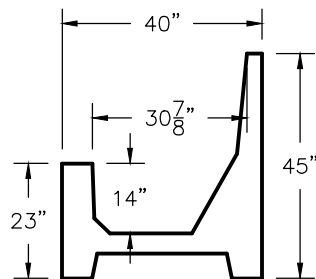


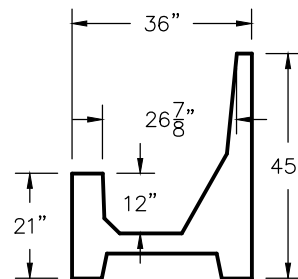
"HIGH BACK" W/ STRAIGHT BACK FENCE LINE FEED BUNK



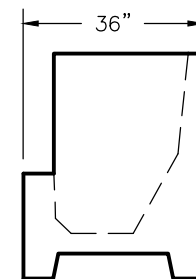
44" END VIEW



40" END VIEW



36" END VIEW



36" END VIEW
ALL SIZES HAVE AVAILABLE ENDS

WIESER CONCRETE

"HIGH BACK" W/ STRAIGHT
BACK FENCE LINE
FEED BUNK

SHEET NO.

0
OF
0

DATE:

REV NO.

SCALE: NTS

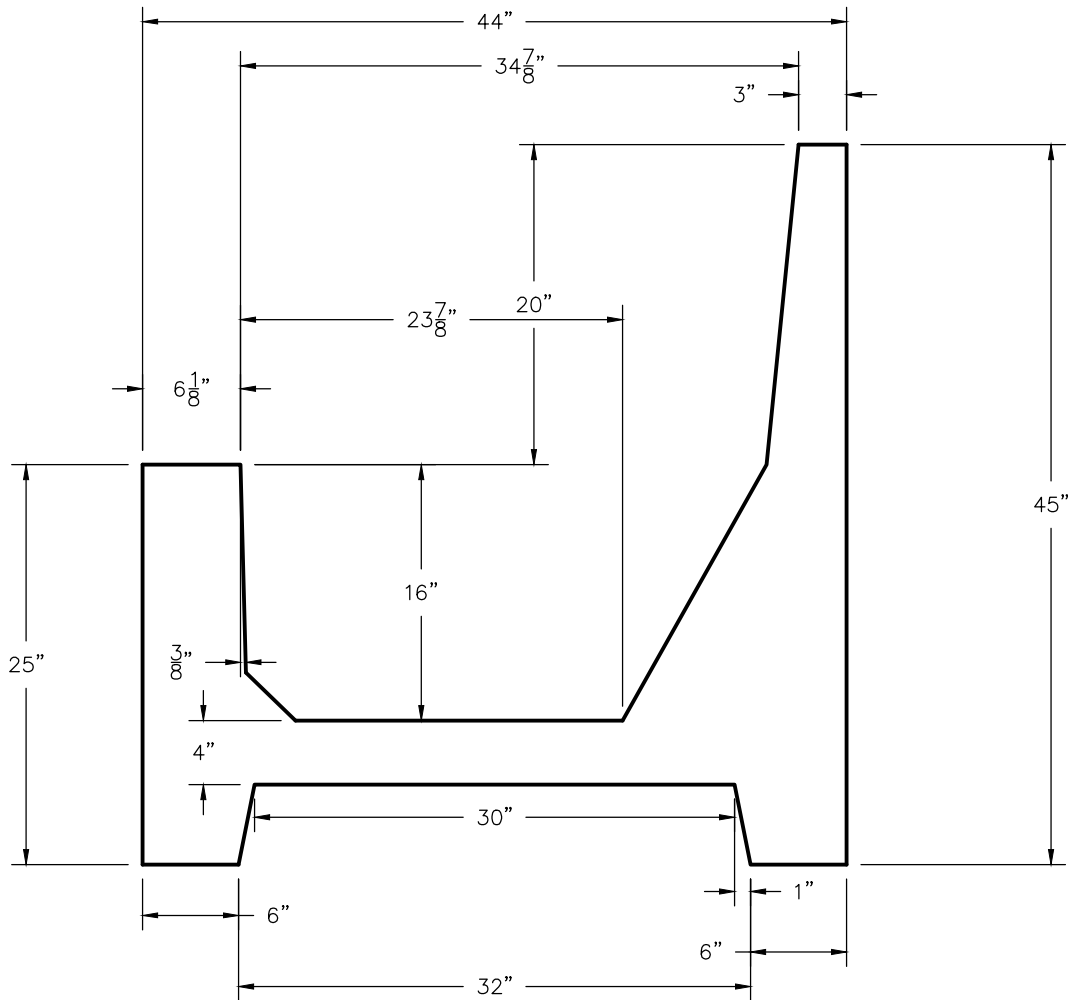
DRAWN BY: SWT

DATE: 4/11/05

FILE: feed bunk\new feedbunk 2005

"HIGH BACK" W/ STRAIGHT BACK
FENCE LINE FEED BUNK

44" FENCE LINE



7225 lbs.

SCALE: NTS	REV. NO.	DATE:
DRAWN BY: SWT		
DATE: 4/11/05		
FILE: feed bunk\new feedbunk 2005		

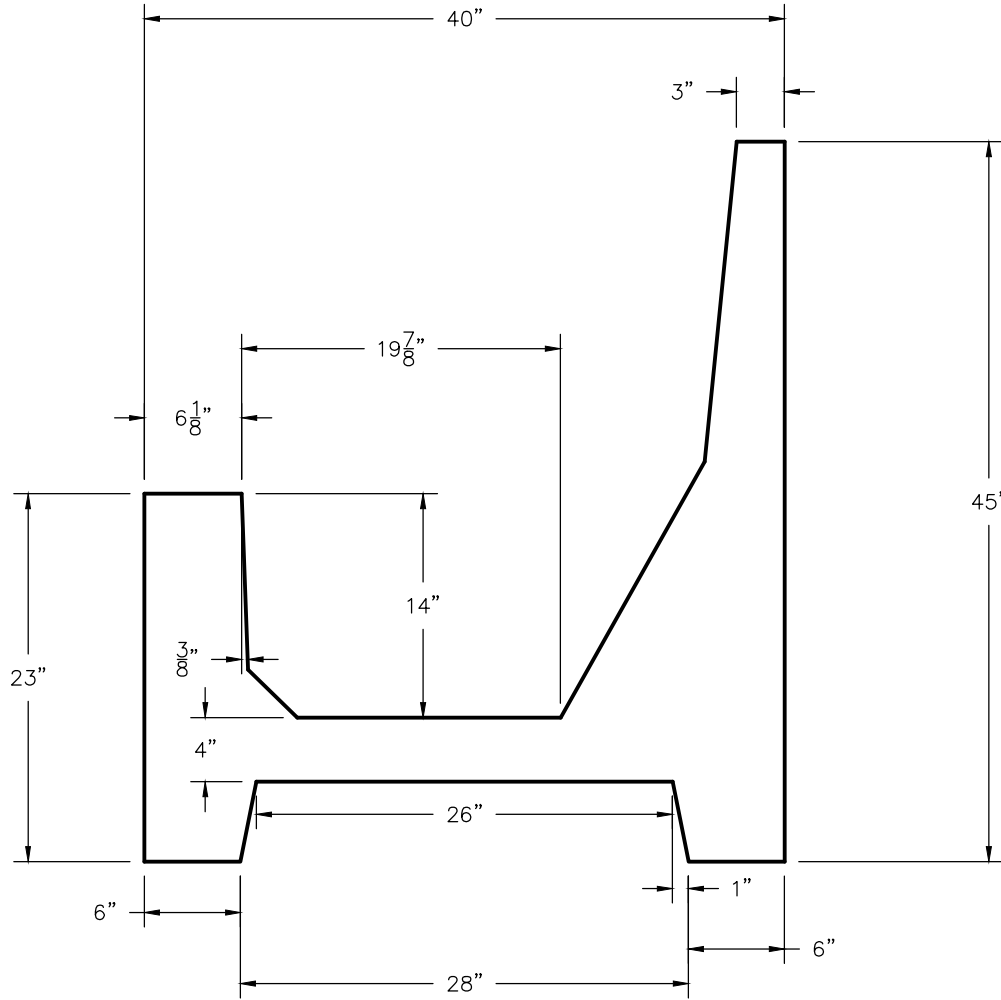
WIESER CONCRETE

"HIGH BACK" W/ STRAIGHT
BACK FENCE LINE
FEED BUNK

SHEET NO.
0
OF
0

"HIGH BACK" W/ STRAIGHT BACK
FENCE LINE FEED BUNK

40" FENCE LINE



6875 lbs.

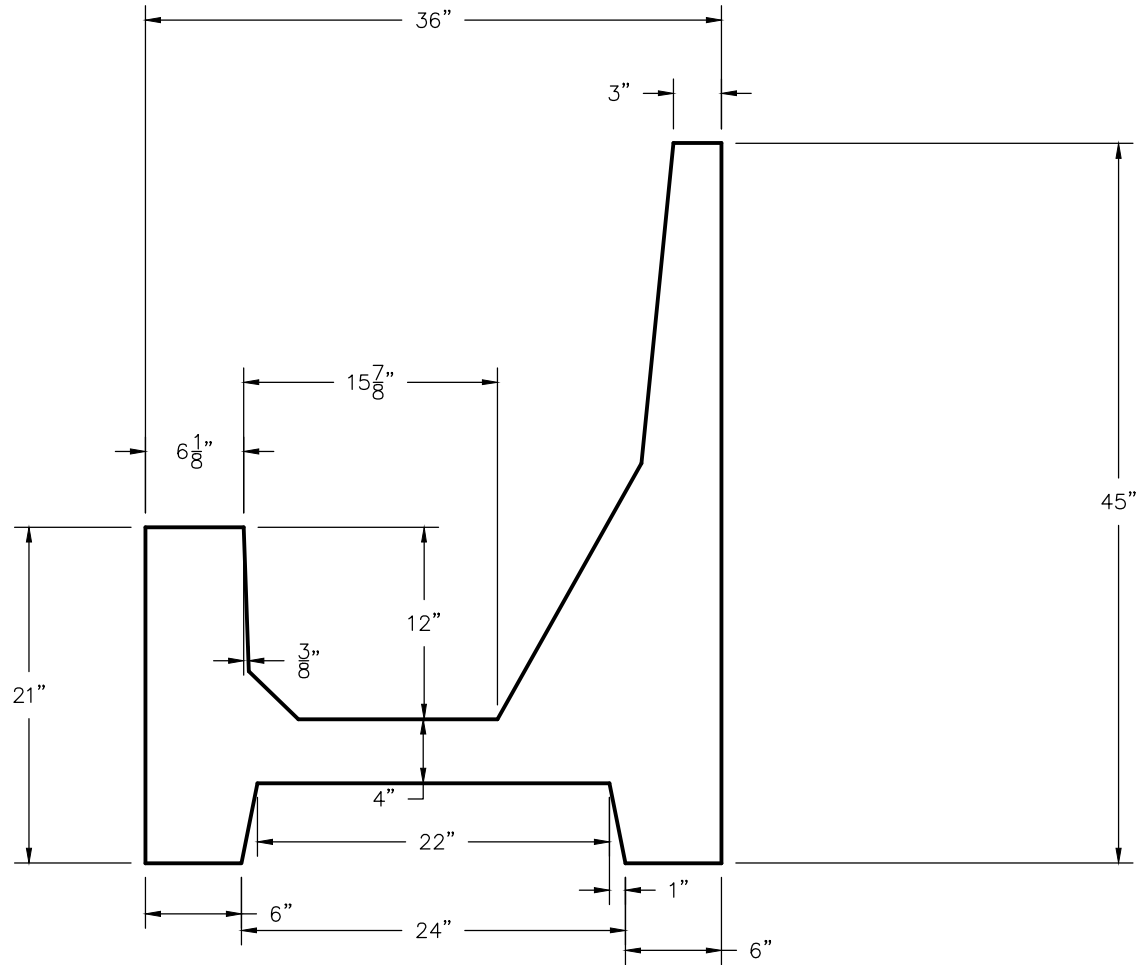
SCALE: NTS	REV NO.	DATE:
DRAWN BY: SWT		
DATE: 4/11/05		
FILE: feed bunk\new feedbunk 2005		

WIESER CONCRETE

"HIGH BACK" W/ STRAIGHT
BACK FENCE LINE
FEED BUNK

SHEET NO.
0
OF
0

"HIGH BACK" W/ STRAIGHT BACK
 FENCE LINE FEED BUNK
 36" FENCE LINE



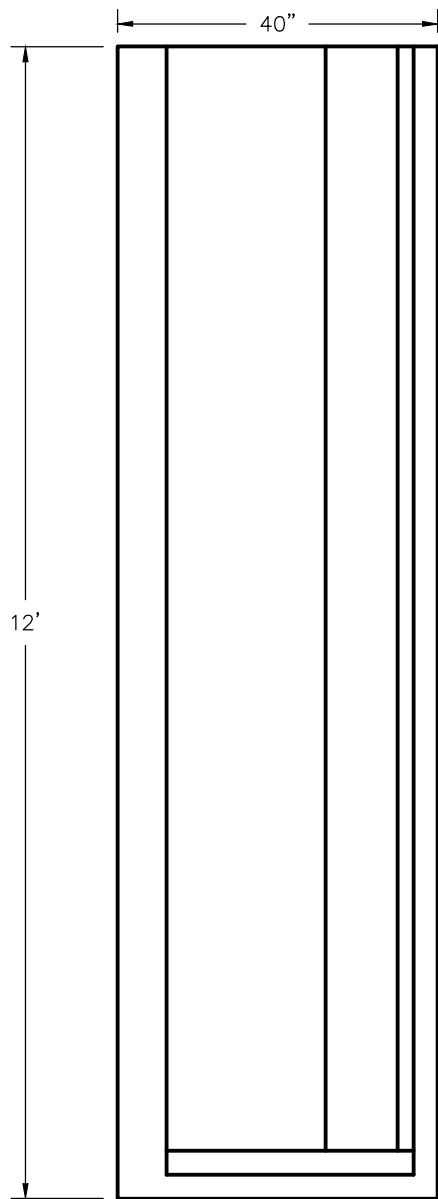
6525 lbs.

SCALE: NTS	REV. NO.	DATE:
DRAWN BY: SWT		
DATE: 4/11/05		
FILE: feed bunk\new feedbunk 2005		

WIESER CONCRETE

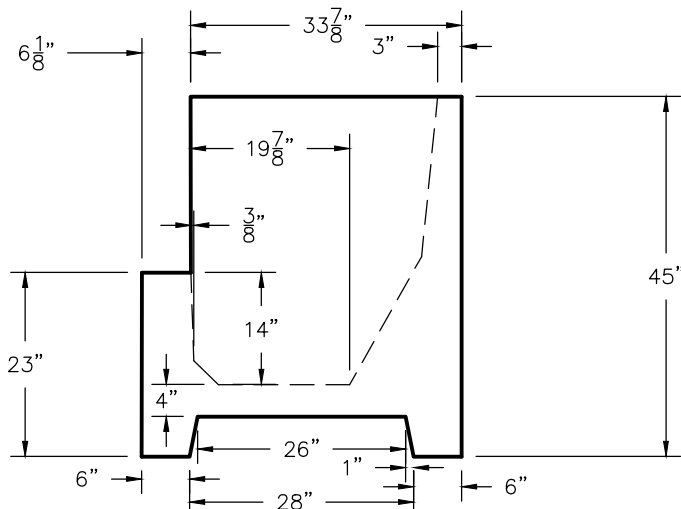
"HIGH BACK" W/ STRAIGHT
 BACK FENCE LINE
 FEED BUNK

SHEET NO.
 0
 OF
 0



"HIGH BACK" W/ STRAIGHT BACK
FENCE LINE FEED BUNK

40" FENCE LINE



0 of 0
SHEET NO.

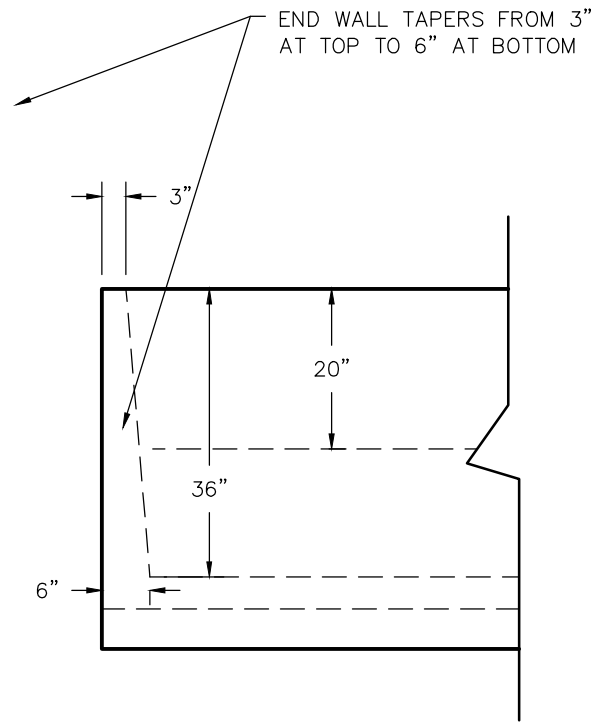
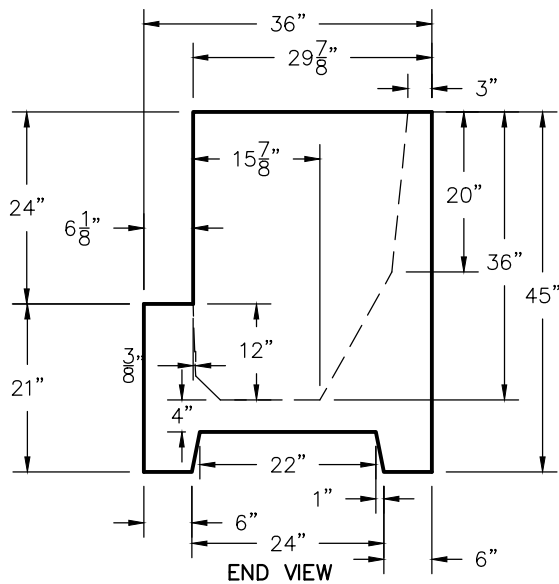
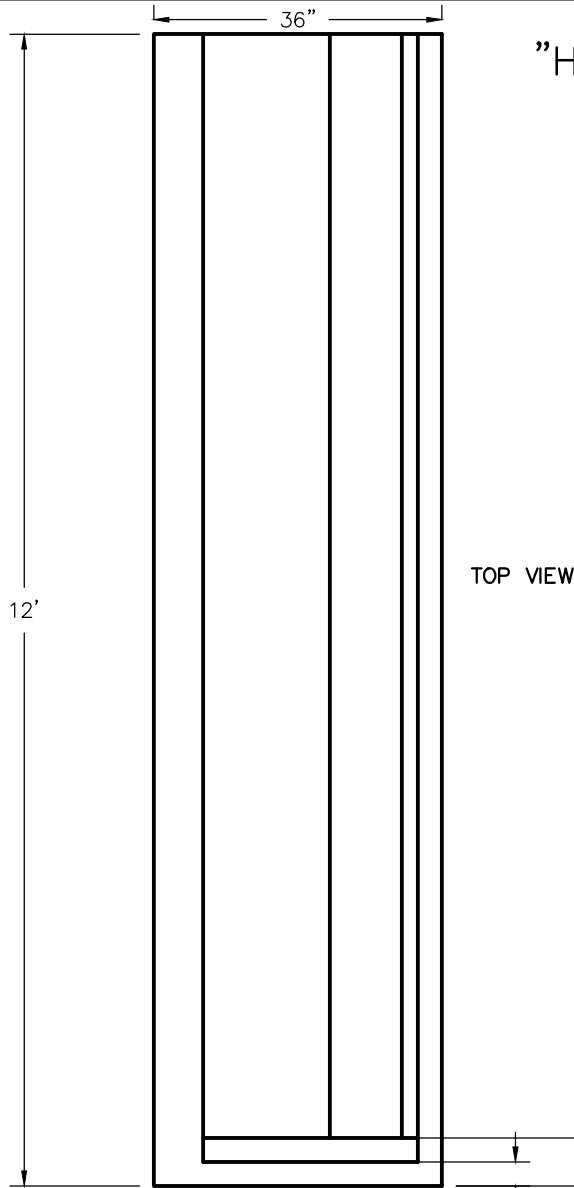
"HIGH BACK" W/ STRAIGHT
BACK FENCE LINE
FEED BUNK

WIESER CONCRETE

SCALE: NTS	REV NO.	DATE:
DRAWN BY: SWT		
DATE: 4/11/05		
FILE: feed bunk\new feedbunk 2005		

"HIGH BACK" W/ STRAIGHT BACK
FENCE LINE FEED BUNK

36" FENCE LINE WITH END



0 OF 0
SHEET NO.

"HIGH BACK" W/ STRAIGHT
BACK FENCE LINE
FEED BUNK

WIESER CONCRETE

SCALE: NTS	REV NO.	DATE:
DRAWN BY: SWT		
DATE: 5/3/05		
FILE: feed bunk\new feedbunk 2005		